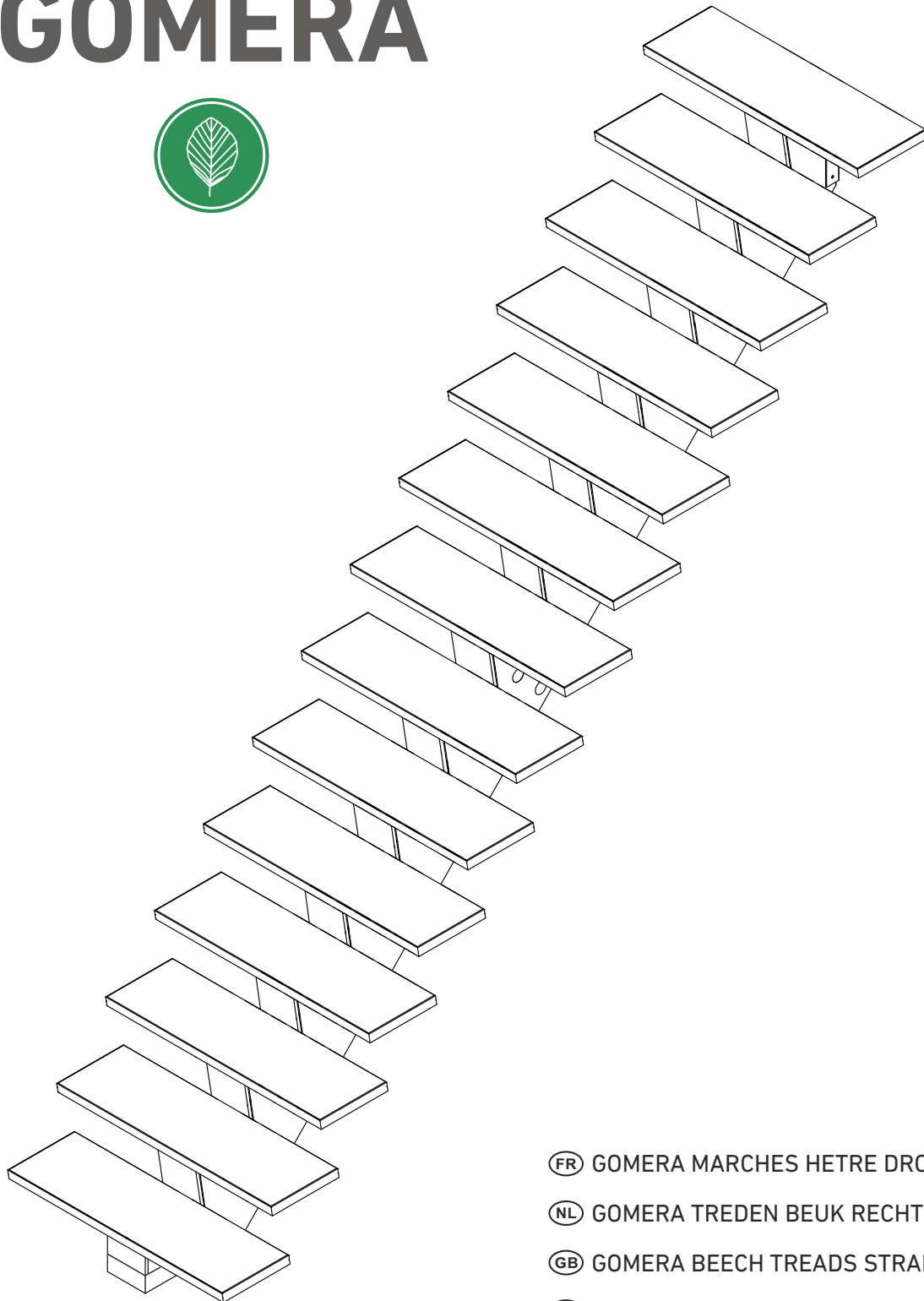
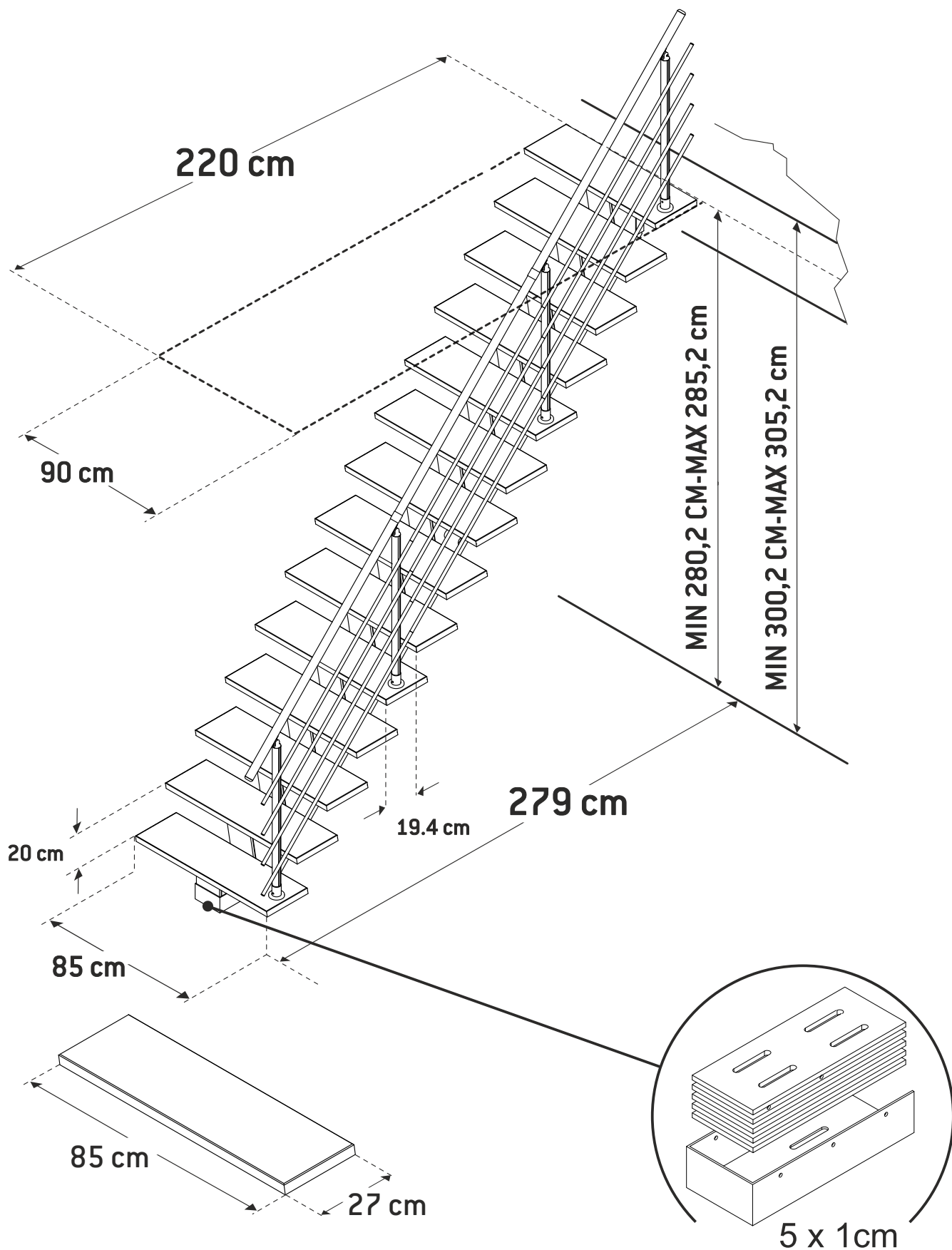




GOMERA

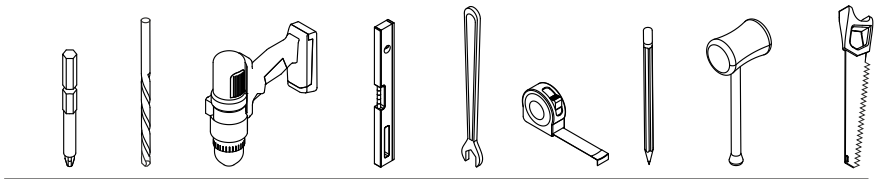


- Ⓡ GOMERA MARCHES HETRE DROIT
- Ⓡ GOMERA TREDEN BEUK RECHT
- Ⓡ GOMERA BEECH TREADS STRAIGHT
- Ⓡ GOMERA BUCHE STUFEN GERADE
- Ⓡ GOMERA PELDAÑOS HAYA RECTA
- Ⓡ GOMERA TREPTE FAG DREAPTA



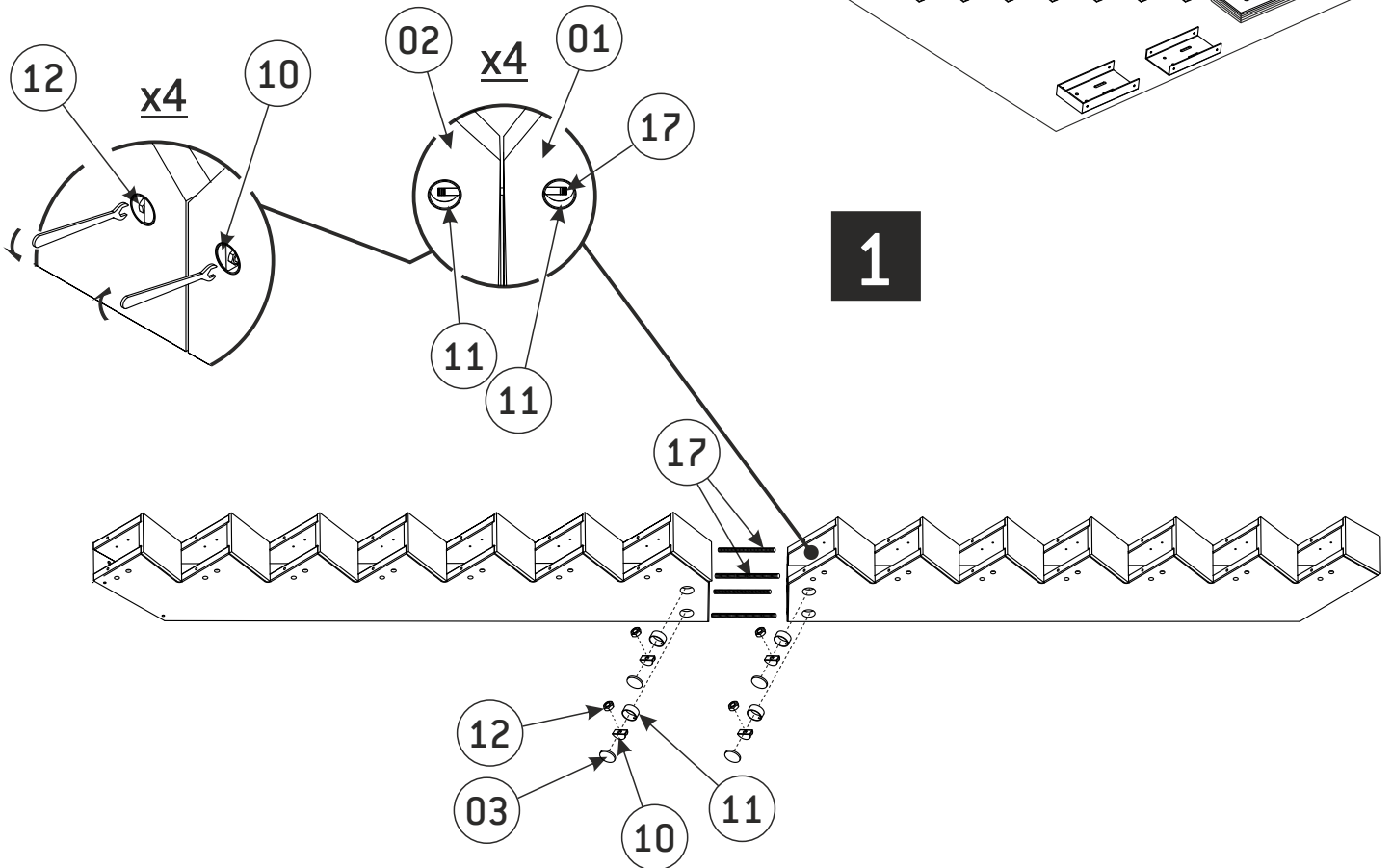
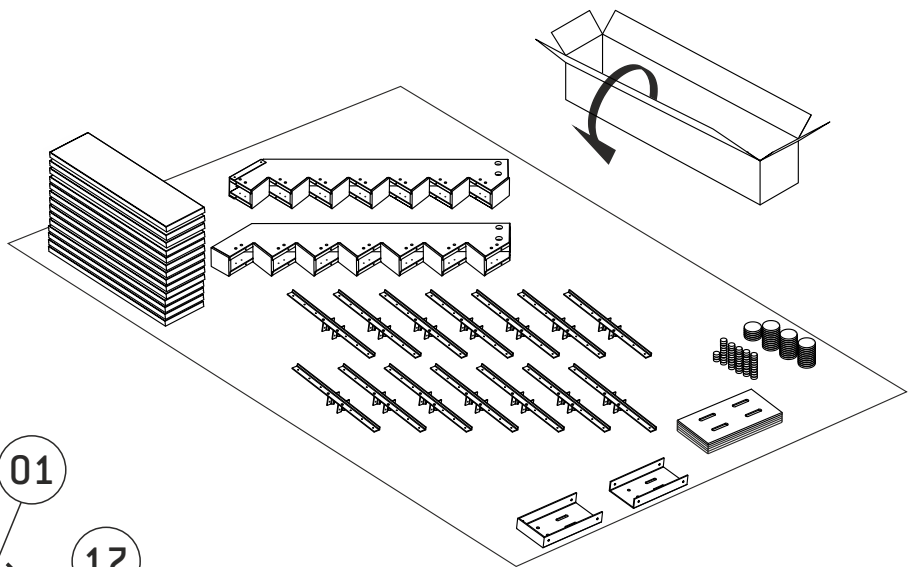
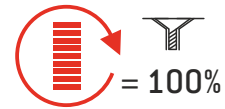
<p>01 150X380X1946 x1</p> <p>70043030</p>	<p>02 150X380X1910 x1</p> <p>70043031</p>	<p>03 050X5 x8+1</p>	<p>04 020X5 x56+2</p>	<p>05 10X149X375 x5</p> <p>70041016</p>
<p>06 10X20,30,40,50X150 50mm → 5x 05 40mm → 4x 05 30mm → 3x 05 20mm → 2x 05</p> <p>70041026</p>	<p>07 50X162X315 x1</p> <p>70041034</p>	<p>08 84X159X382 x1</p> <p>70041033</p>	<p>09 80X85X700 x14</p> <p>70042044</p>	<p>10 11X18X35 x8</p> <p>70041003</p>
<p>11 19X037X040 x8</p> <p>70031034</p>	<p>12 M8 x8</p> <p>70041004</p>	<p>13 06,3X60 / 06,3X45 x28+2</p> <p>70041019</p>	<p>14 07X40 x12</p> <p>70041007</p>	<p>15 05X25 x87+2</p> <p>70041030</p>
<p>16 HEX 4 x1</p> <p>70041028</p>	<p>17 M8X160 x4</p> <p>70031033</p>	<p>18 M12X016X80 x8</p> <p>70041006</p>	<p>19 15X016 x28</p> <p>70041059</p>	<p>20 M6X50 x28+1</p> <p>70041058</p>

<p>21 x13</p> <p>81° 38X275X850</p> <p>99°</p>	<p>22 x1</p> <p>90° 38X275X850</p> <p>99°</p>
<p>23 x1</p> <p>20 ml</p> <p>70041056</p>	<p>24 x1</p> <p>36.5X53x190</p>

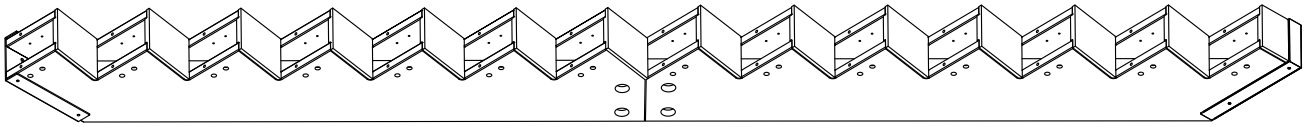


Ph2/3 016
Pz2/3

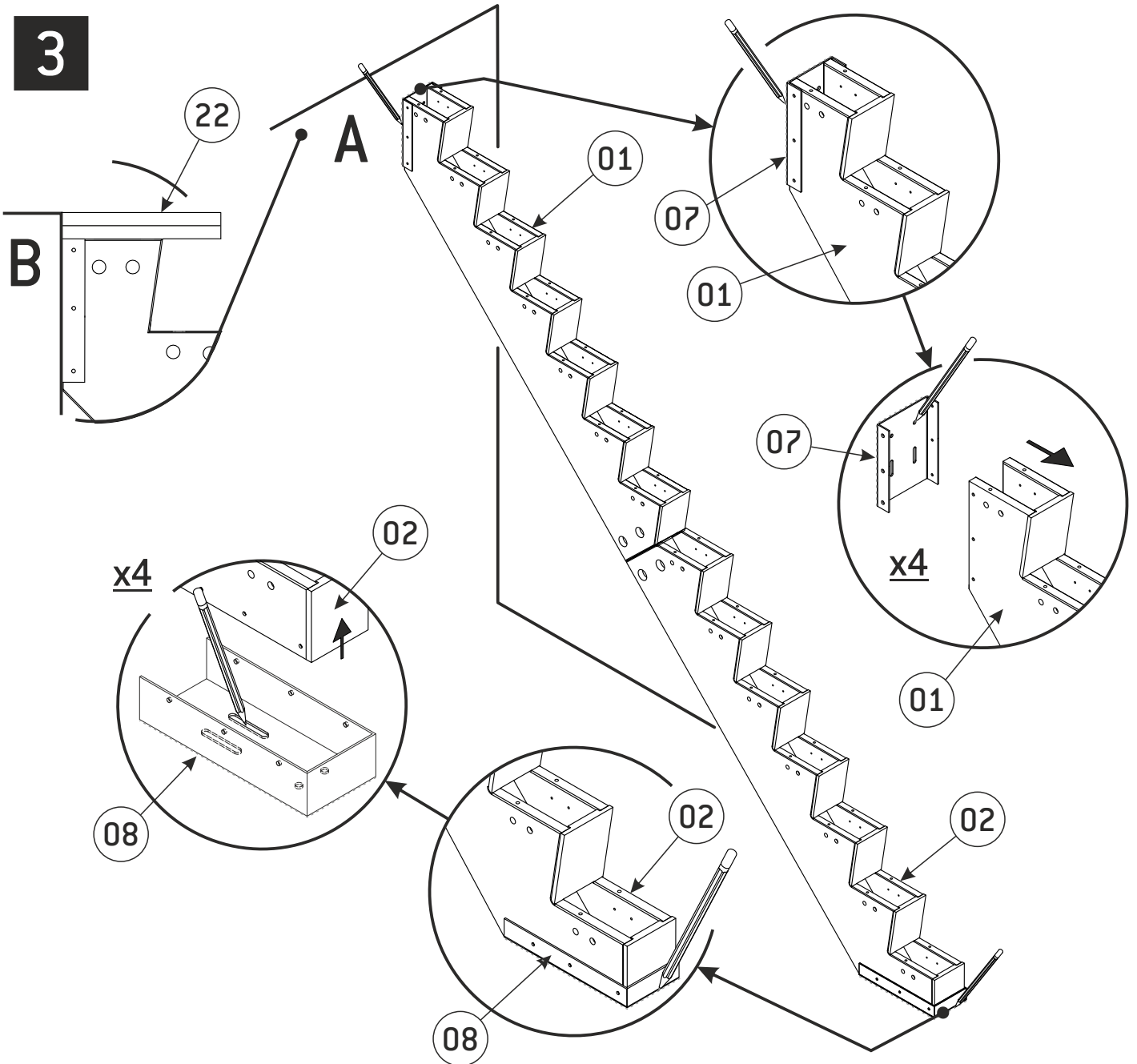
10
13
17



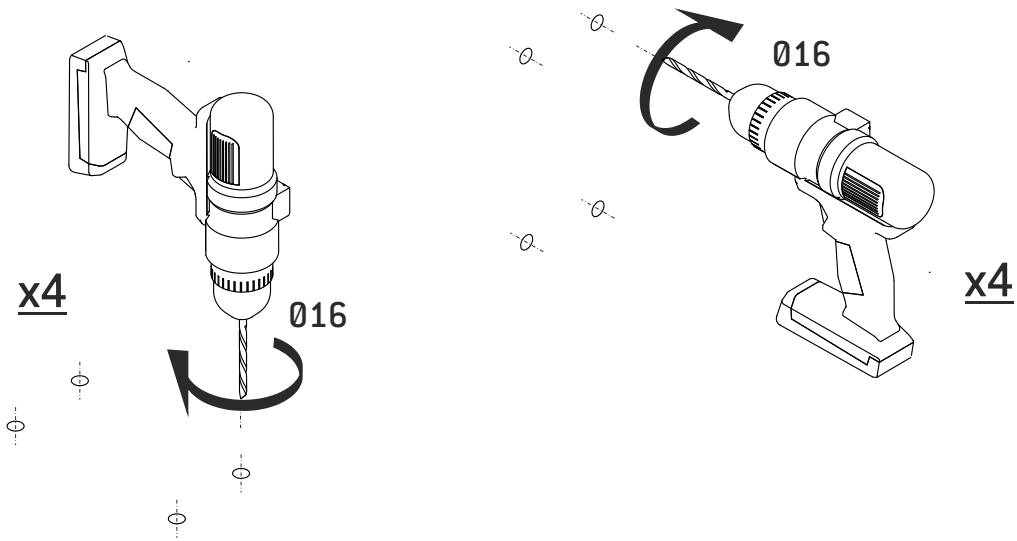
2 45.9°



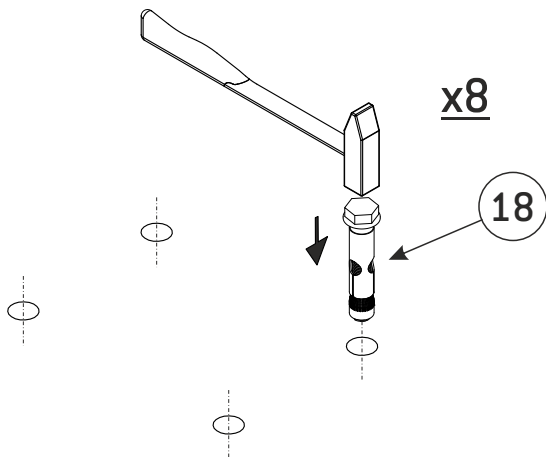
3



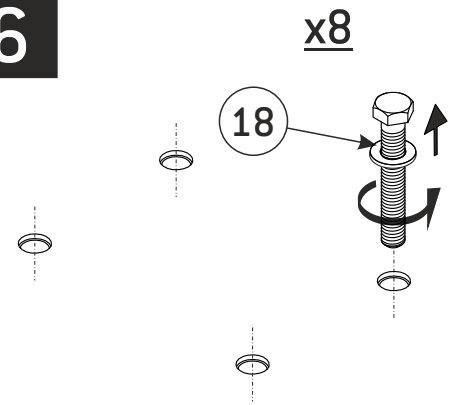
4



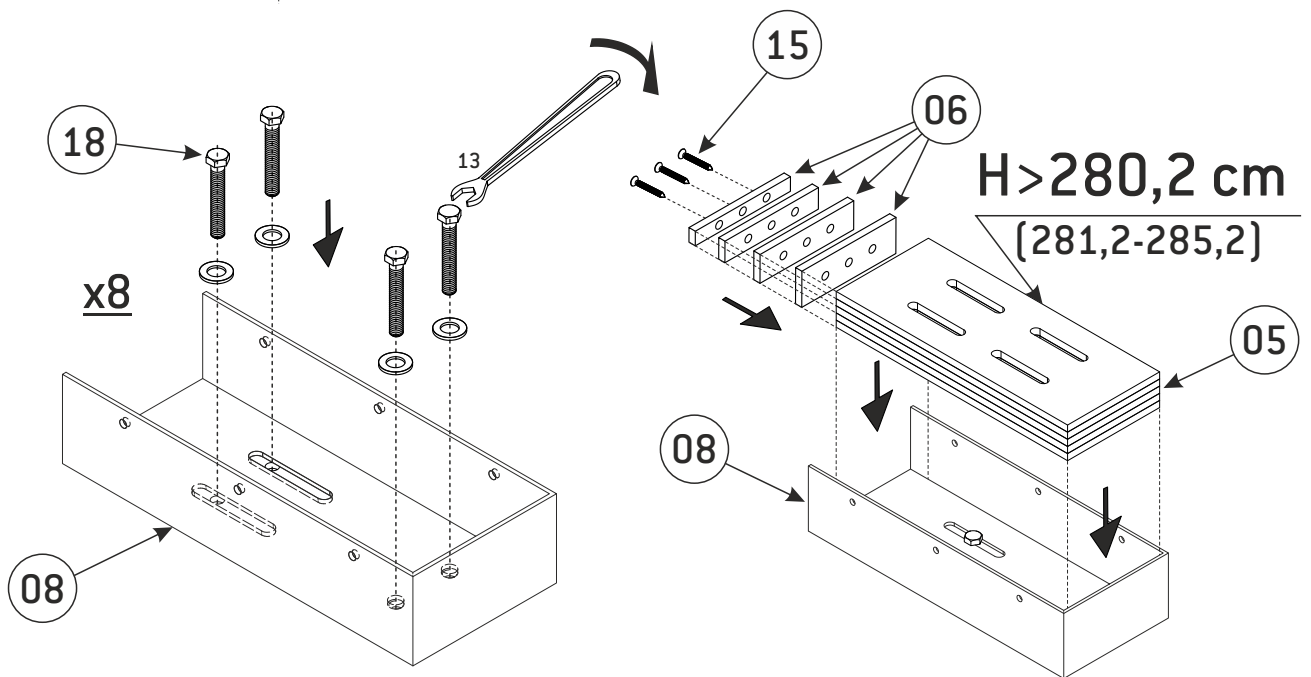
5



6



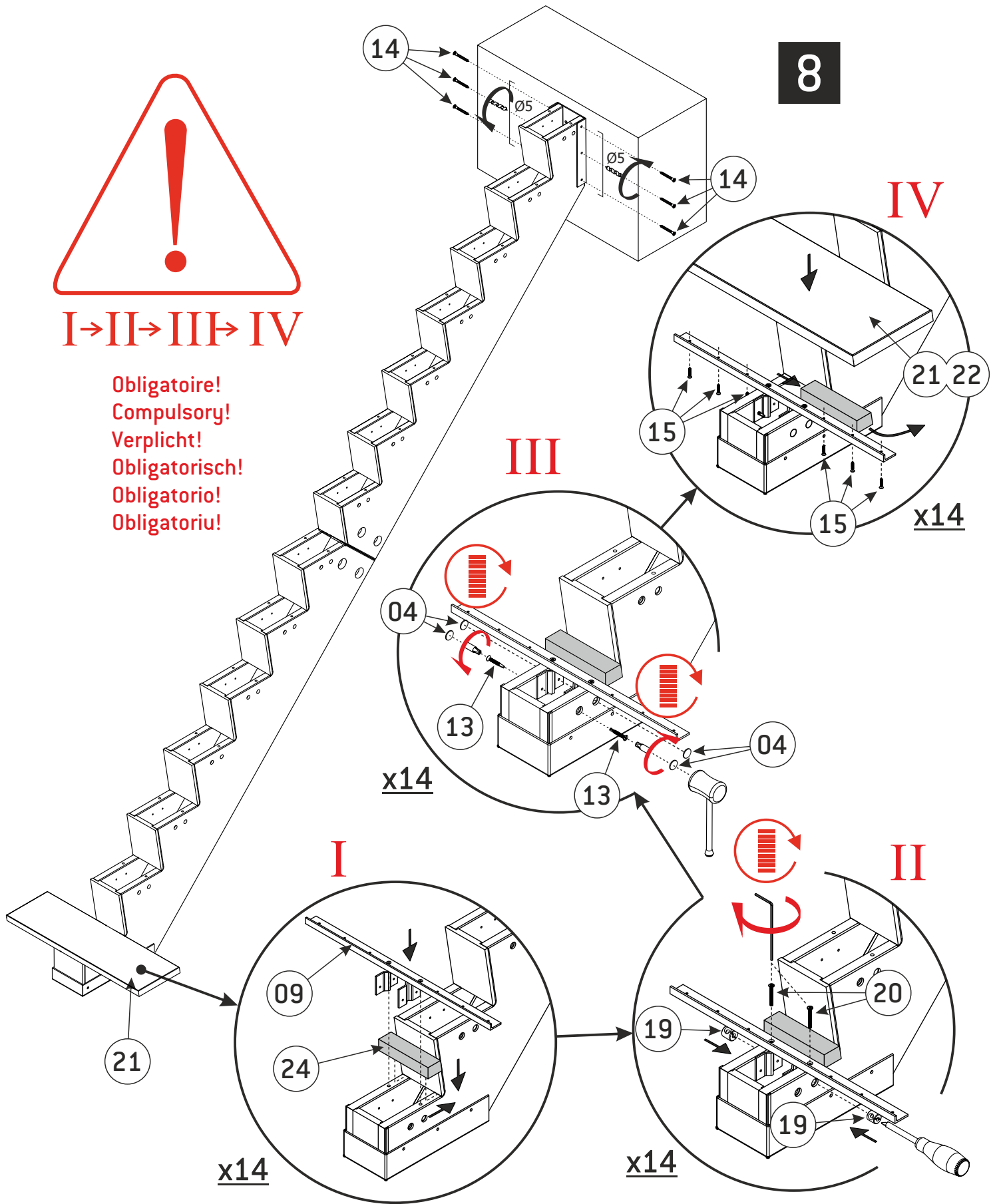
7



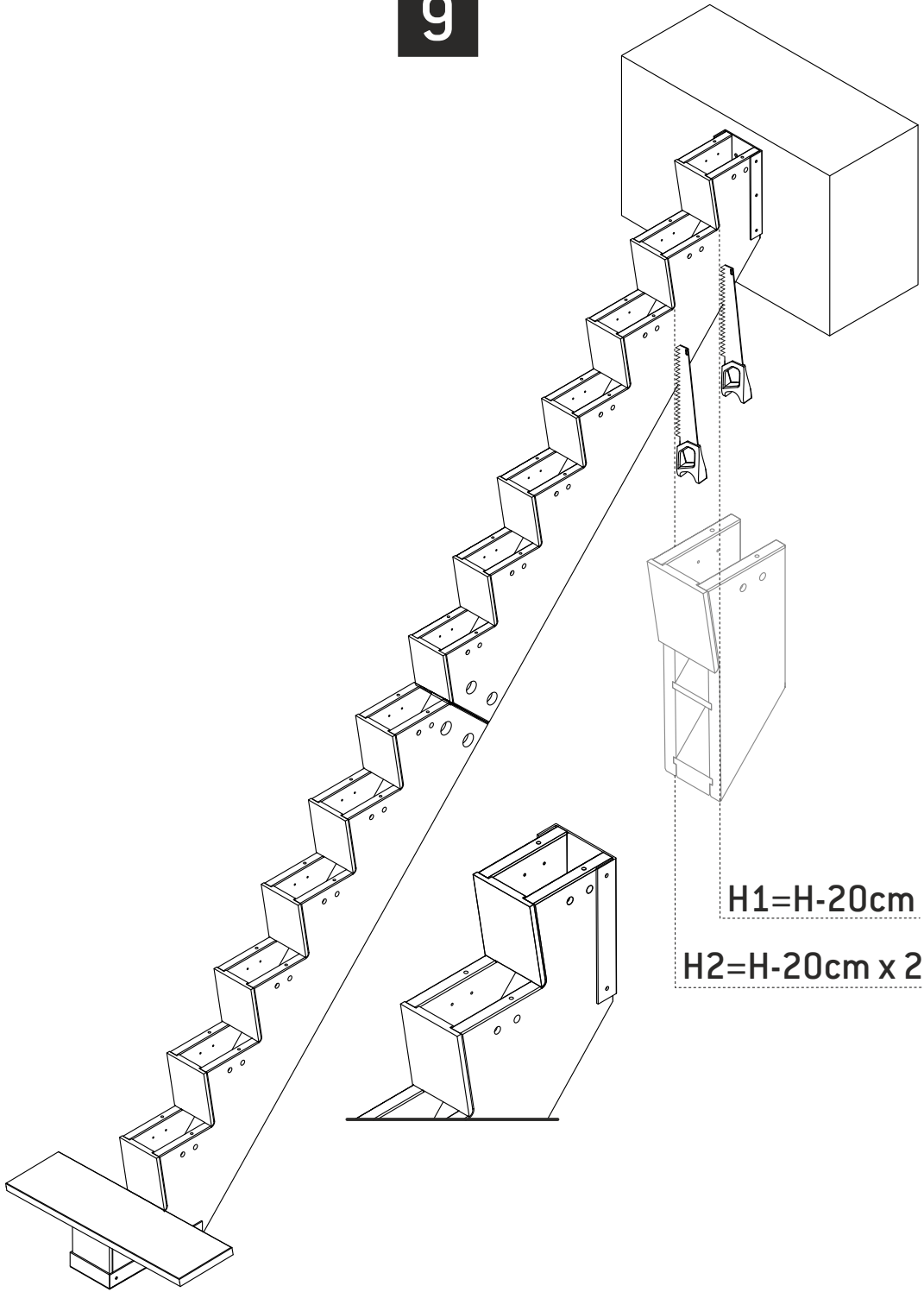


I→II→III→IV

**Obligatoire!
Compulsory!
Verpflicht!
Obligatorisch!
Obligatorio!
Obligatoriu!**



9



$H1 = H - 20\text{cm}$

$H2 = H - 20\text{cm} \times 2$

