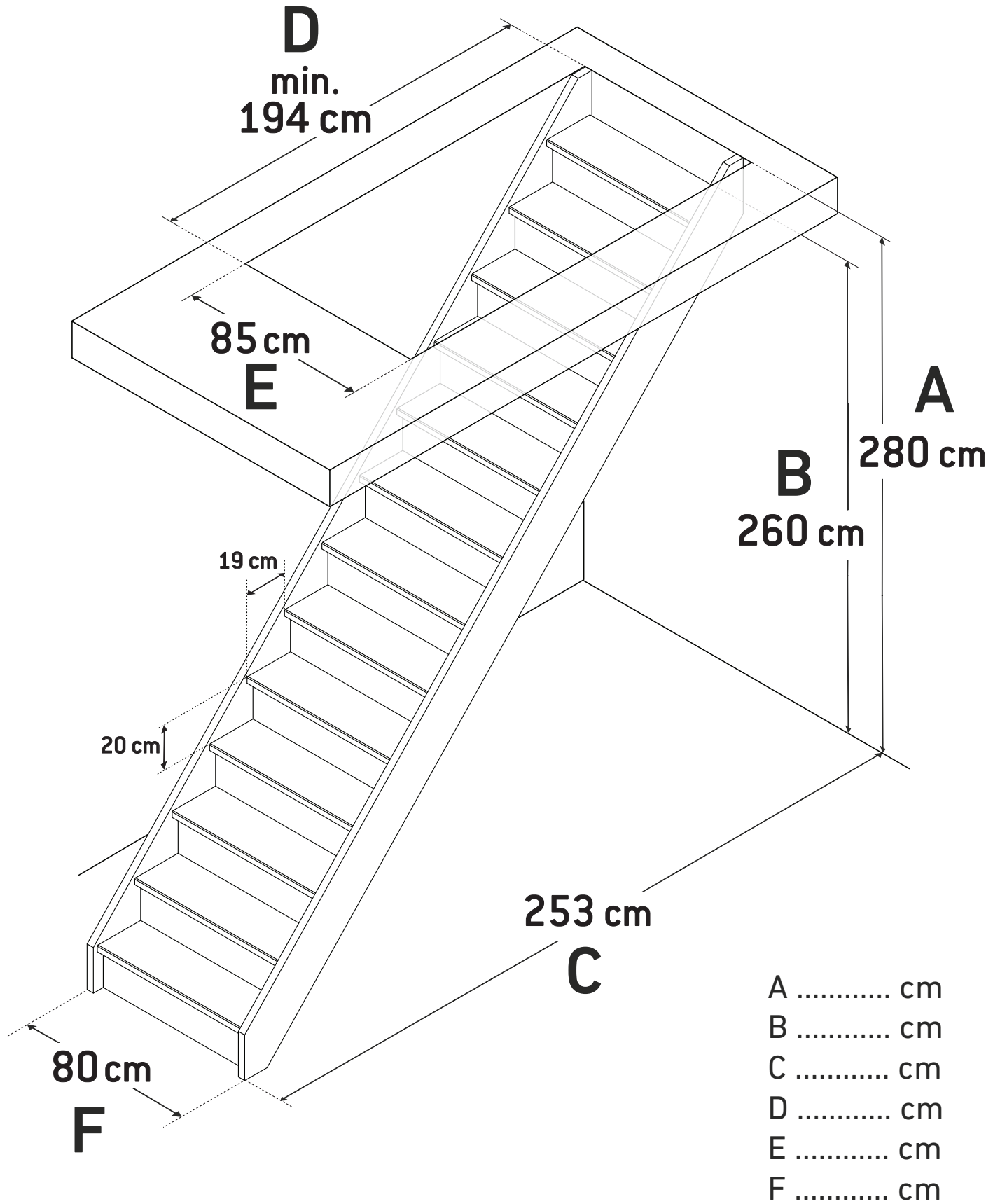


# MILAN

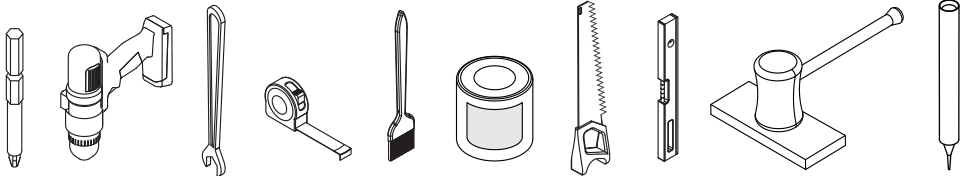
STAIRCASE | **ESCALIER** | LADDER | **WANGENSPARTREPPE**  
ESCALERA | **ESCADA** | ESCALA | **SCARĂ**



**High confort**  
46,47°



<b>01</b> 31x200x3766 mm x1  60160098	<b>02</b> 31x200x3766 mm x1  60160098	<b>03</b> 31x220x756 mm x7  60160096	<b>04</b> 31x220x756 mm x6  60160096	<b>05</b> 18x210x750 mm x13  60160097	<b>06</b> Ø40x5mm x14 	<b>07</b> M8x70mm x14 	<b>08</b> 13x15x34 mm x14 	<b>09</b> M8 x14 
		<b>10</b> Ø4x40mm x48+2 	<b>11</b> Ø4x35mm x8 	<b>12</b> Ø6x30mm x8 	<b>13</b> Ø5x60mm x8 	<b>14</b> Ø10x50mm x8 	<b>15</b> 20x60x60mm x4 	



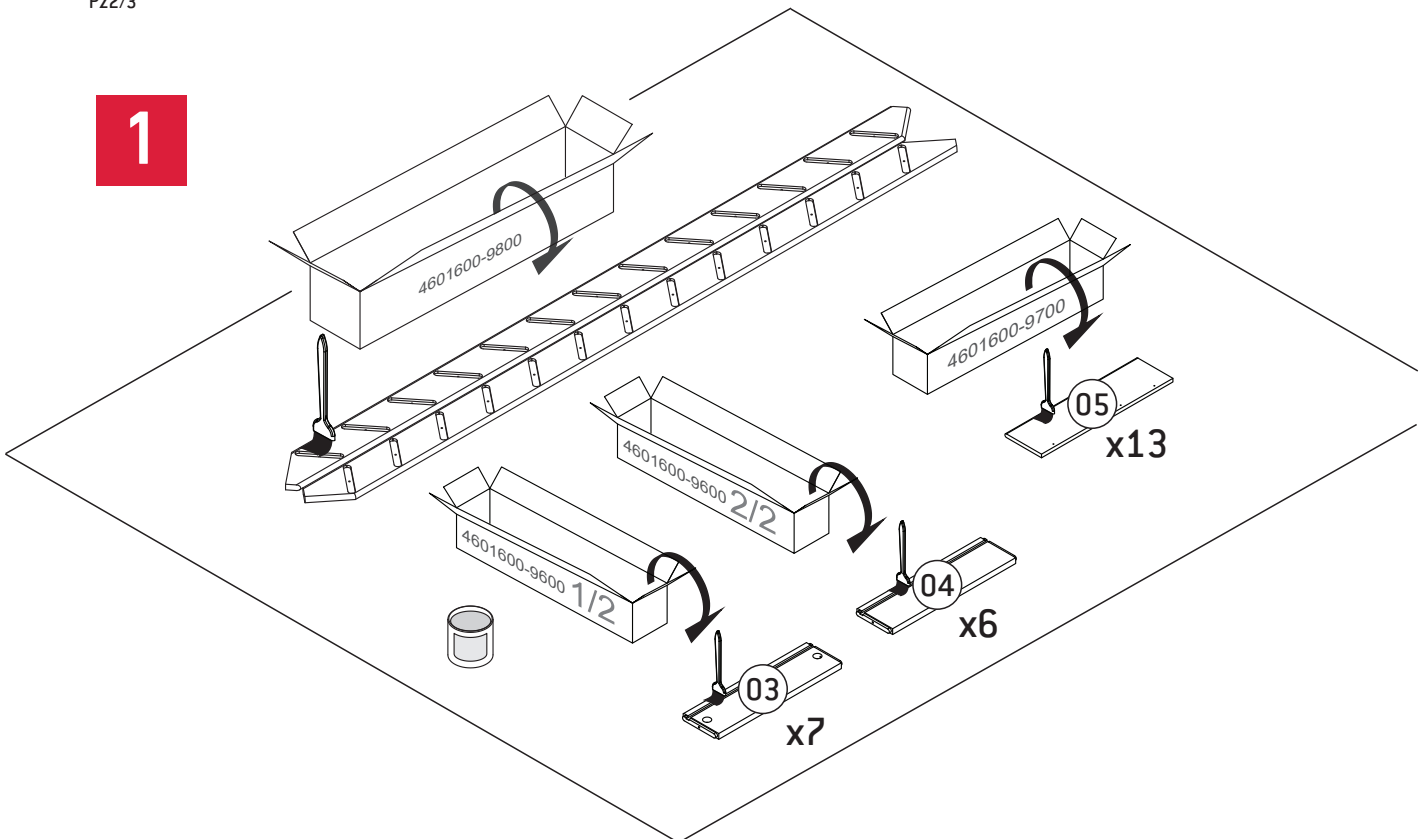
Ph2/3  
Pz2/3

13

silicone



**1**

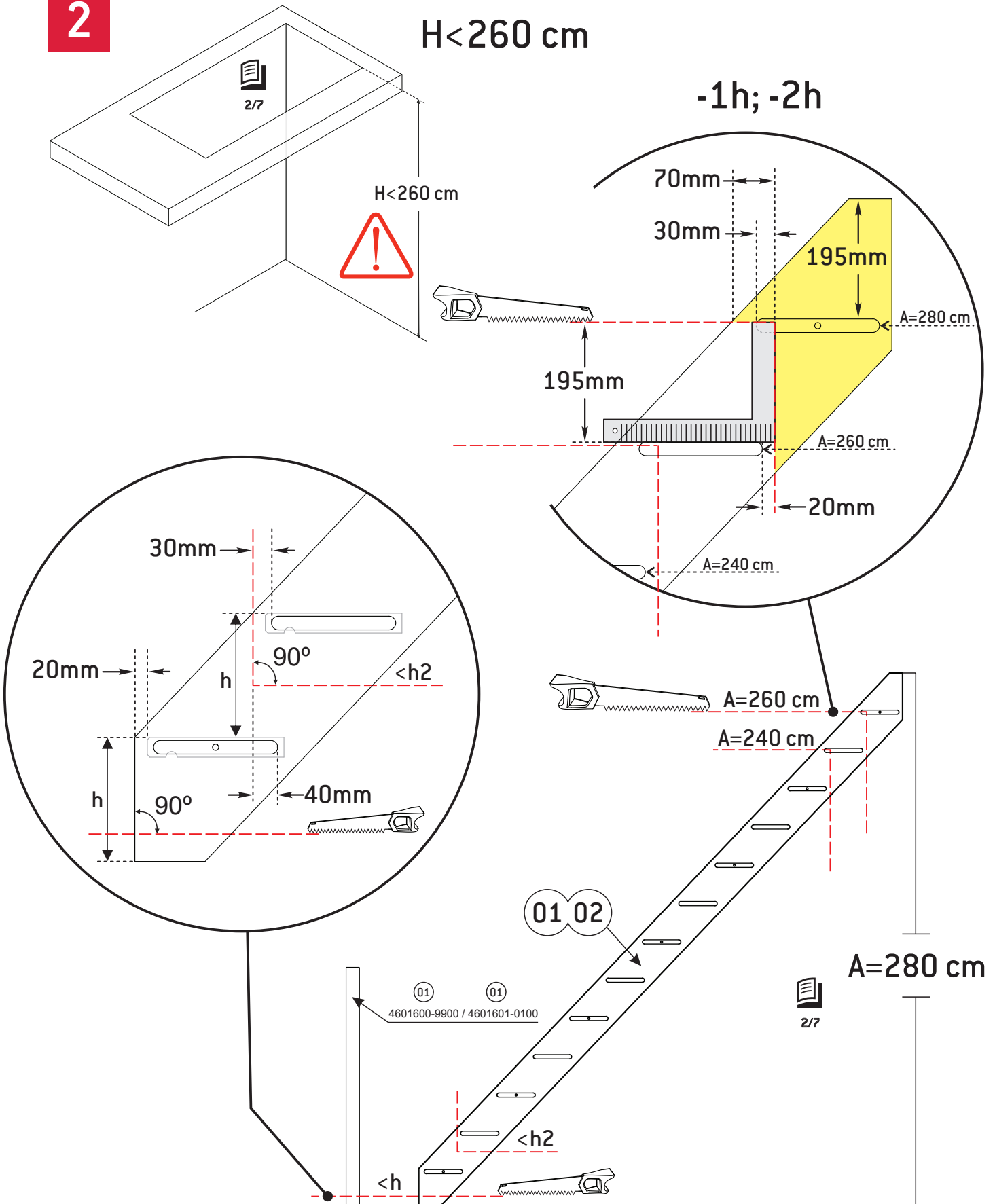


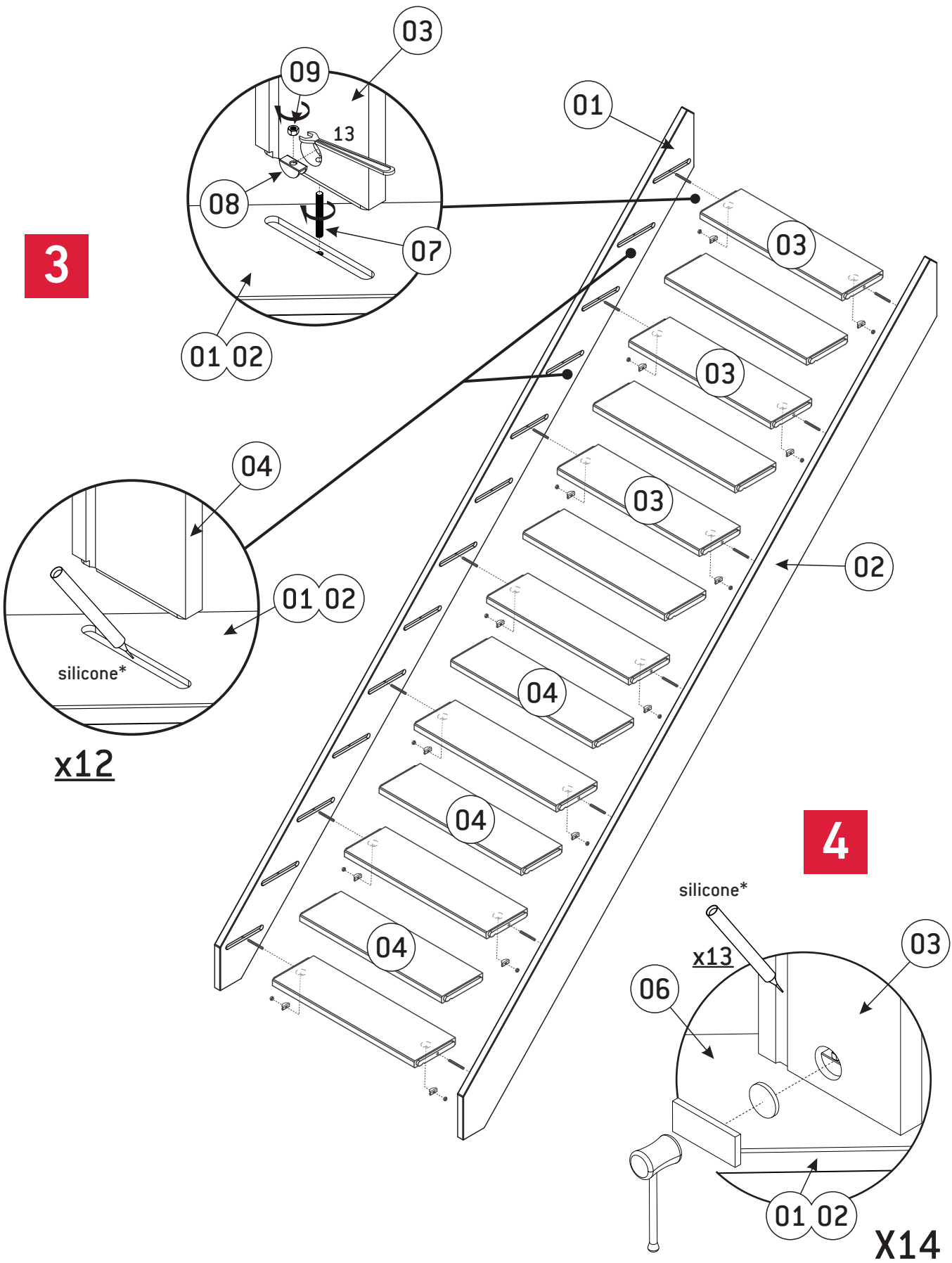


**2**

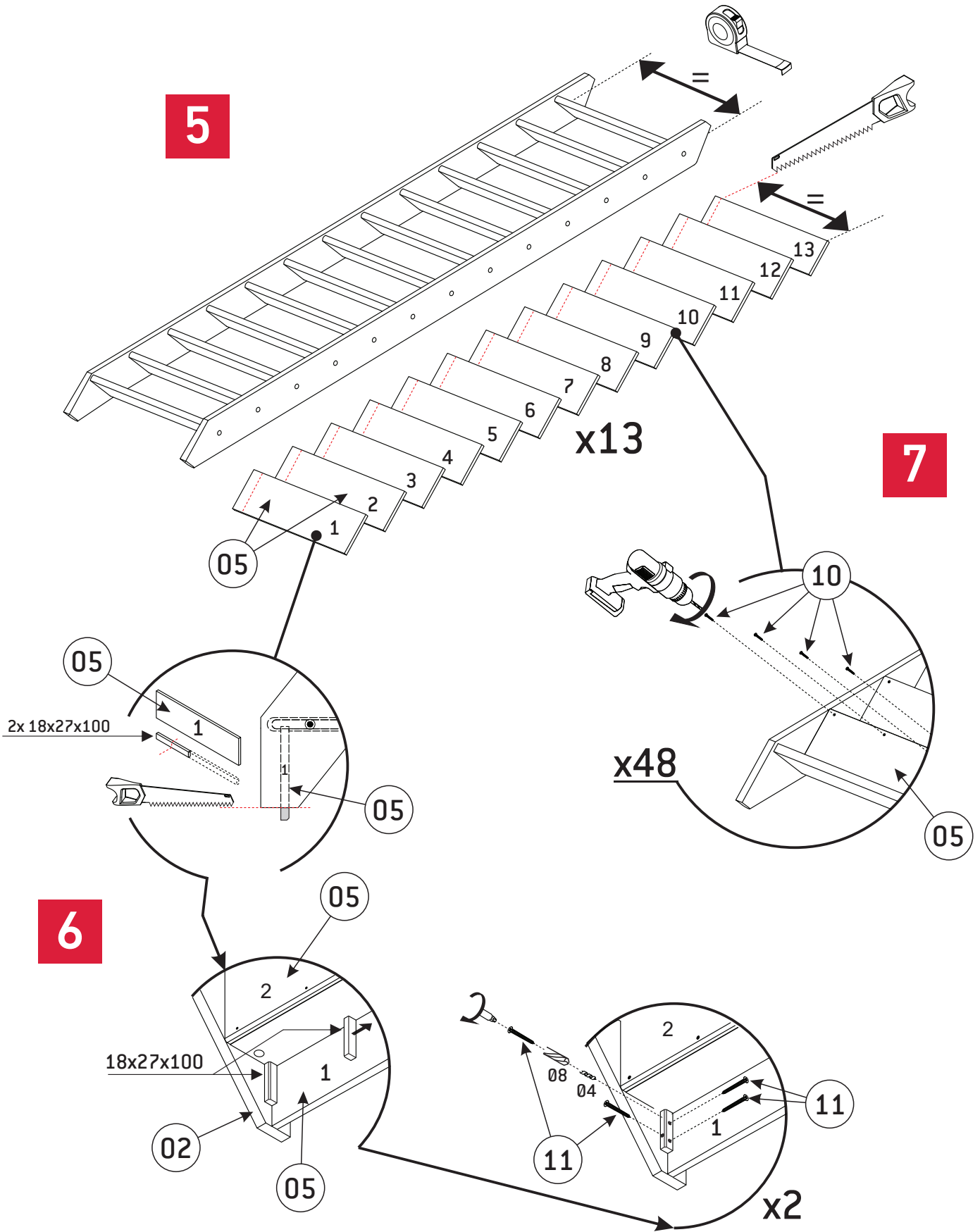
**H < 260 cm**

**-1h; -2h**





\* Recommended by manufacturer to eliminate the creaking of wooden stair treads.





**8**

